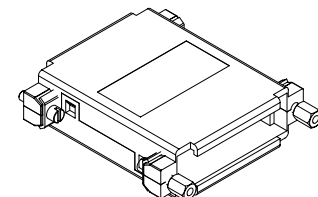
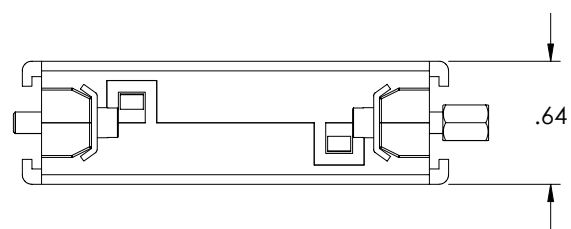
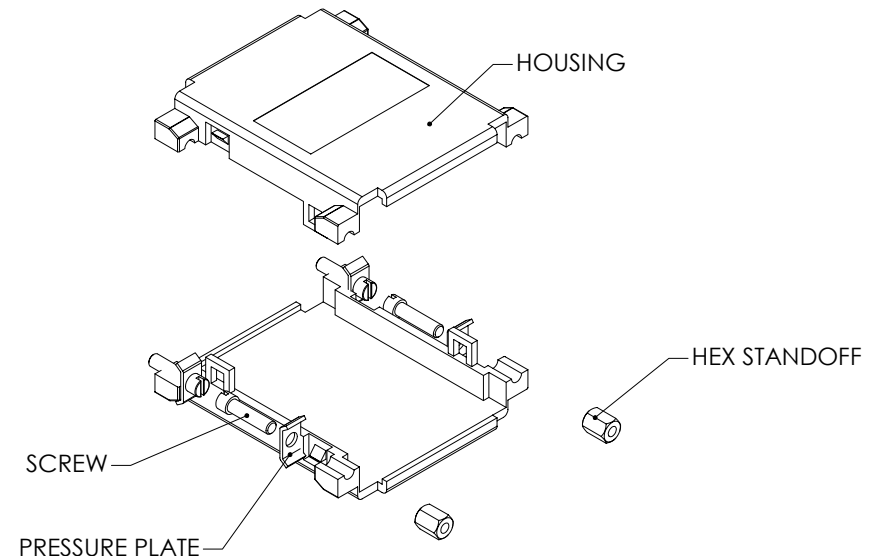
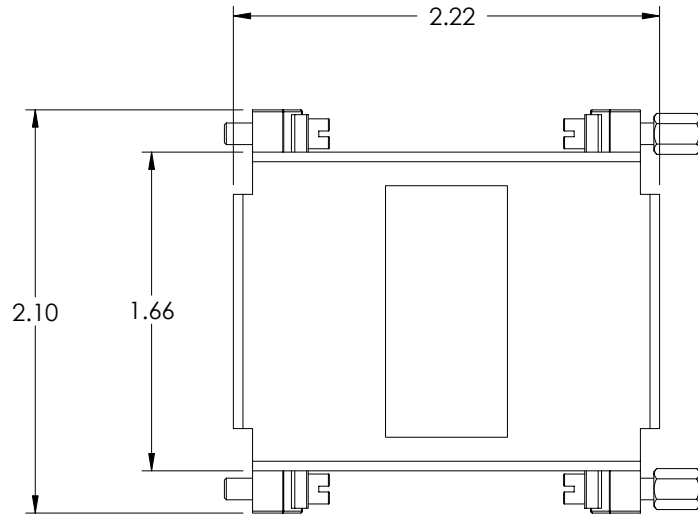


THE INFORMATION CONTAINED IN THIS DRAWING IS THE SOLE PROPERTY OF L-COM, INC. ANY REPRODUCTION IN PART OR WHOLE WITHOUT THE WRITTEN PERMISSION OF L-COM, INC. IS PROHIBITED.

REVISIONS			
REV	DESCRIPTION	DATE	APPROVED
A	INITIAL RELEASE	6/2/03	DFP



SPECIFICATIONS

HOUSING: ABS PLASTIC, UL94V-0 RATED
 COLOR: GRAY
 HARDWARE SUPPLIED: FOUR 4-40 UNC-2A SCREWS
 TWO 4-40 UNC-2B HEX STANDOFFS
 FOUR PRESSURE PLATES
 HOUSING ACCEPTS STANDARD 25 POSITION D-SUB CONNECTORS (NOT SUPPLIED)
 NOTE: HALF COVERS SNAP TOGETHER SECURELY , CAPTIVATING D-SUB CONNECTORS

UNLESS OTHERWISE SPECIFIED,
 DIMENSIONS ARE IN INCHES
 TOLERANCES ARE:
 .X ±.1
 .XX ±.05
 .XXX ±.005
 CABLE LENGTH TOLERANCE
 <300" ±5% >300" ±2%

APPROVALS	DATE
DRAWN BY D.PARHAM	6/2/2003
CHECKED BY C. McCORMICK	6/2/2003
APPROVED BY R. CARRICK	6/2/2003

CONFIGURATION DETAILS OF
 UNDIMENSIONED FEATURES
 MAY VARY

		45 BEECHWOOD DRIVE NORTH ANDOVER, MA 01845	
PRODUCT DESCRIPTION			
D-SUB HALF COVER PAIR			
DRAWING TITLE			
OUTLINE DRAWING			
SIZE A	FSCM NO. 43321	DWG. NO. DHP25G-OD1	REV. A
SCALE: NONE		CAD FILE: DHP25G-OD1.SLDDRW	
SHEET 1 OF 1			