



## Safe-Fly 2020 ADS-B Compliant GPS Module with Serial data Combiner/Expander



Revision A  
02/09/2017  
GRTAvionics.com

# Table of Contents

Description.....	3
Compatibility.....	3
Use with Non-Compatible GRT and other systems.....	3
GPS Function.....	4
GPS Status Display (This section is preliminary).....	4
Serial Data Combiner/Expander Function.....	4
Installation.....	5
Wiring.....	5
Power and Ground.....	5
Serial Ports.....	6
Configuration.....	6
Default Configuration.....	6
Configuration Settings.....	6
Post-Installation Checkout Procedure.....	7
Status Reporting.....	7
GPS Specific Status.....	8
Approved Devices – Wiring and Configuration.....	8
Trig TT21/TT22.....	8
Trig TT31.....	9
Sandia.....	9
Specifications.....	9
Connector Pinout.....	11
Dimensions.....	12
Typical Wiring.....	13

## Description

The Safe-Fly ADS-B compliant GPS module with serial data combiner provides GPS position data as a stand-alone module to various approved ADS-B out device, or may be wired to any GRT EFIS to provide high integrity GPS position data, and provide more serial ports for all GRT EFIS display units except the WS model. Included with the unit are a GPS antenna suitable for interior mounting, and mounting hardware.

## Compatibility

The Safe-Fly GPS module is compatible with any GRT Mini, Sport SX, Horizon HX, or Horizon Hxr EFIS. It can operate stand-alone with the ADS-B out devices listed in the “Approved Devices” section. The minimum software versions that support the module are:

<b>EFIS</b>	<b>Minimum Software Version</b>
All models of Mini EFIS	3.00
Sport EX/Horizon EX	1.06
Sport SX	13.00
HX	9.00
HXr	5.01

## Use with Non-Compatible GRT and other systems

The Safe-Fly GPS module can be used with non-compatible systems, and without any connection to an EFIS, with the following limitations:

- The module configuration can not be changed, however the module can be ordered with its configuration set as desired at no additional cost.
- The integrity and accuracy data will not be indicated on the EFIS display unit.
- The serial combiner function can not be used.

For these installations we do recommend using the NMEA0183 output to the EFIS, to provide the EFIS with a high quality navigation source.

## GPS Function

The Safe-Fly GPS Module utilizes a RAIM GPS which provides all data required for ADS-B 2020 compliance for ADS-B out devices listed in the “Approved Devices” section. The GPS data can also be used with any GRT EFIS, except the WS display unit, to provide the EFIS with a high-integrity navigation source. The module communicates with compatible ADS-B out devices via a serial port connection, independent of the EFIS display unit.

## GPS Status Display (This section is preliminary)

The compatible GRT EFIS display will show the integrity and accuracy of the GPS in the upper left corner of the screen. It should not be inferred that the “Approach” accuracy allows the GPS to be used for IFR approaches, however this indication is provided to enhance the understanding of the performance of their GPS installation.

**GPS1**

No accuracy or integrity information is known about this GPS.

**GPS1-En**

Position integrity is good IFR enroute accuracy.

**GPS1-Ap**

Position integrity is good with IFR approach accuracy.

**GPS1-NI**

Position failed integrity test. Accuracy is unknown.

## Serial Data Combiner/Expander Function

In addition to the GPS functions, the module includes a serial port combiner function. The module includes 4 serial ports (input and output). One of these is dedicated for communication with any the EFIS display unit. The other 3 serial ports can be configured to send GPS data directly to an ADS-B output device, or used to expand the number of serial ports available to your display unit.

### Recommended Usage of Serial Combiner/Expander Serial Ports

The design of the serial port combiner minimizes data latency (delays), however, connecting the following devices is not recommended due to their potential sensitivity to the additional latency.

- GRT Autopilot Servos
- Data to 3<sup>rd</sup> party autopilots, such as Trutrak and Trio
- AHRS, especially with the system includes a connection to the autopilots

Devices that provide large amounts of data, such as ADS-B receivers or XM weather will function through the combiner, but could reduce the available data that could be passed through the other serial ports. For this reason, if practical, it is preferred that high-data rate devices be wired directly to the display unit.

## Installation

Mounting holes are provided in the four corners of the case for #6 flat head screws. Two screws are sufficient when located in opposite corners for most installations. The module can be mounted in any orientation. Typically the unit is mounted in the forward part of the airplane so its antenna can be positioned on the glare shield, and so it is near the GRT EFIS display units. The module should not be exposed to water, or in a location where it is likely to get wet, or where temperatures will exceed 150 deg F when in normal operation.

## Wiring

The Safe-Fly GPS will operate with or without a connection to a GRT EFIS. In most cases it will be wired to a GRT EFIS to supply the EFIS with GPS data, and allow the use of the 3 serial ports on the module. (The serial data from these ports is combined into the one serial data stream to the EFIS, along with the GPS data, and transmitted to the EFIS via the Serial Control Out pin.) Typical wiring is illustrated at the end of this manual.

## Power and Ground

**Power** – Power must be provide to at least one of the three power inputs on pins 23,24,25. +9-32VDC is required at 0.2A maximum. These inputs are isolated, and multiple power inputs can be used for redundancy.

**Ground** - One ground connection is recommended, to any of the provided ground pins.

**GPS Backup Power** – This connection is optional. It will draw about 30 uA from the aircraft battery, which is much smaller than the self-discharge rate of an aircraft battery. The GPS will acquire its position in less than 20 seconds when the GPS backup power connection is not used.

## Serial Ports

When planning an installation, keep in mind that one serial output on the GPS module is required if the GPS is to provide data to an ADS-B out device. This connection minimizes latency, and allows GPS data to be sent to your ADS-B out without dependence on a GRT EFIS that may be connected to it.

**Control Port In/Out** - This serial port is dedicated to use with a GRT EFIS. This connection allows the EFIS to change the configuration of the module's serial ports, and send and receive data from them.

**Serial Ports 1,2,3** – These serial ports can be configured to transmit GPS data to an ADS-B output device. Ports 1 and 2 outputs are provided on two pins, and port 3 on three pins, so that “tee-ing” into an output when it is shared with more than one device is not required.

## Configuration

The module is shipped pre-configured in its default configuration. This configuration can be changed when the module is connected to a compatible GRT EFIS.

### Default Configuration

The Safe-Fly GPS is shipped, configured to transmit NN33 on serial out 1, and NMEA0183 GPS data on serial out 2 and 3, plus RAIM integrity and accuracy data, as indicated in the following table:

Serial Port	Default	Pins
Serial Port 1 Out	38400 baud, Safe Fly NN33	19,20
Serial Port 2 Out	9600 baud, NMEA0183 + RAIM	3,4
Serial Port 3 Out	4800 baud, NMEA0183 + RAIM	1,2,15

The configuration of the module can be changed by connecting it to a compatible GRT EFIS. The configuration data is stored in the GPS module, allowing it to operate stand-alone after it is configured.

### Configuration Settings

The EFIS display unit must be configured for this module when it is wired to one of its serial ports. Using the “Set Menu”, “General Setup”, configure the serial port on the EFIS that is wired to the “Serial Control Input/Output” as “Fly-Safe GPS/SPC”, at 115,200 baud. After saving these settings, the general setup menu will show additional settings associated with this module. They appear just after the serial port configuration settings.

<b>Setting</b>	<b>Description</b>
SPC Serial Port 1,2,3 Rate	Rate applies to input and output
SPC Serial Port 1,2, 3 Input	Functions available are the same as the EFIS, with the addition of multiple ADS-B GPS output function.
SPC Serial Port 1,2,3 Output	Functions available are the same as the EFIS, with the addition of ADS-B specific data formats.
GRT Safe-Fly GPS	To use this GPS as a navigation source to the EFIS, set it to “GPS1”, or “GPS2”. If not used as a navigation source to the EFIS, set it to “Not Assigned”. Note that the EFIS supports 2 GPS inputs, and only one GPS input can be assigned to GPS1 or GPS2, so it may be necessary to change an internal GPS input to “Not Assigned”, or a serial input configured for GPS1 or GPS2 must be set to “Not Used”.

## Post-Installation Checkout Procedure

When used to provide position to an ADS-B out device, an ADS-B receiver can be used to verify position data is being received by...tbd. An ADS-B report should also be requested from the FAA after the airplane has been flown, to further validate the installation.

When connected to a display unit, see the “Status Reporting” section, and verify the GPS is communicating (this also verifies serial communication to the display unit), and verify the power inputs used are showing voltage on these inputs. If this page is grayed out, no communication is being received from the GPS module.

Use the Set Menu, Display Unit Maintenance, and GPS status (select this GPS if more than one are connected to the EFIS), and verify satellite reception. Typically at least 7 satellites will show up on the GPS status page. If no, or poor reception, check the antenna connection and verify the antenna has a clear view of the sky.

Data to and from serial ports used on the module combiner are verified by any means that validates serial communication. The technique will vary depending on the device.

## Status Reporting

When a serial port has been configured for this module, the status of the module may be observed on the Set Menu, Display Unit Maintenance. In the GRT Safe-Fly GPS/SPC menu, the following data is provided:

<b>Name</b>	<b>Description</b>
Module Software Version	Software version of the GPS module
GPS Communicating	Yes/No – Indicates if data has been received from the RAIM GPS within the module. Should always show “Yes” when the module is powered.
Load Module Software	Select to update the software into the module from a GSPCUp*.dat file.
Power Input 1	Voltage present on this power input
Power Input 2	Voltage present on this power input
Power Input 3	Voltage present on this power input
Temperature	Internal temperature of processor

## **GPS Specific Status**

Detailed data about the performance of the GPS, including the number of satellites being tracked, the signal strengths, etc., is available on the Set Menu, Display Unit, GPS Status. If more than one GPS is connected to the EFIS, be sure to select this GPS.

## **Approved Devices – Wiring and Configuration**

### **Trig TT21/TT22**

Use of the Safe-Fly GPS for the Trig TT21/TT22 is approved by GRT Avionics when installed and configured as described in this section for experimental category airplanes. This installation meets the requirements of FAR 91-227(c), when wired as shown below, and configured as indicated.

#### **Configuration**

<b>Setting</b>	<b>Required Selection</b>
SPC Serial Port 1 Rate	38400
SPC Serial Port 1 Output	Safe Fly NN33

#### **Wiring**



Safe-Fly GPS Pin	Trig TT21/22 Pin	Notes:
19 – Serial Out 1	5 – GPS Input	If the GRT Trig adapter is installed on the TT21/TT22, the connection is made to pin 5 of this adapter. The data will pass through the adapter into the transponder.

## Trig TT31

Use of the Safe-Fly GPS for the TT31 is approved by GRT Avionics when installed and configured as described in this section for experimental category airplanes. This installation meets the requirements of FAR 91-227(c), when wired as shown below, and configured as indicated.

### Setting

Setting	Required Selection
SPC Serial Port 1 Rate	38400
SPC Serial Port 1 Output	Safe Fly NN33

### Wiring

Safe-Fly GPS Pin	Trig TT21/22 Pin	Notes:
19 – Serial Out 1	Pin 3 of Secondary Connector – RS232 In	The TT31 must be configured for NexNav GPS In, at 38400 baud.

## Sandia

Testing is underway to validate the use of the Safe-Fly GPS with the Sandia ADS-B out devices. This manual will be updated when GRT Avionics and Sandia and approved the use of this GPS. We expect this approval soon (second quarter 2017 or sooner).

## Specifications

- Power Requirements: 9-32Vdc, 0.2 Amp maximum
- Weight: 0.4 lbs
- Mounting Orientation: Any

### GPS Specifications:

- GPS Type: 12-channel GPS satellite receiver using GPS constellation and satellite-based augmentation system, such as WAAS, EGNOS, MSAS and GAGAN to the extend of WAAS compatability.
- Approvals: Certified by GRT Avionics to FAR 91.227 when used with a ADS-B out device in the “Approved Devices” section. GPS sensor meets TSOC199, Appendix 1, SectionA1.2.6 and FAR Section 91.227(c) for ADS-B out.

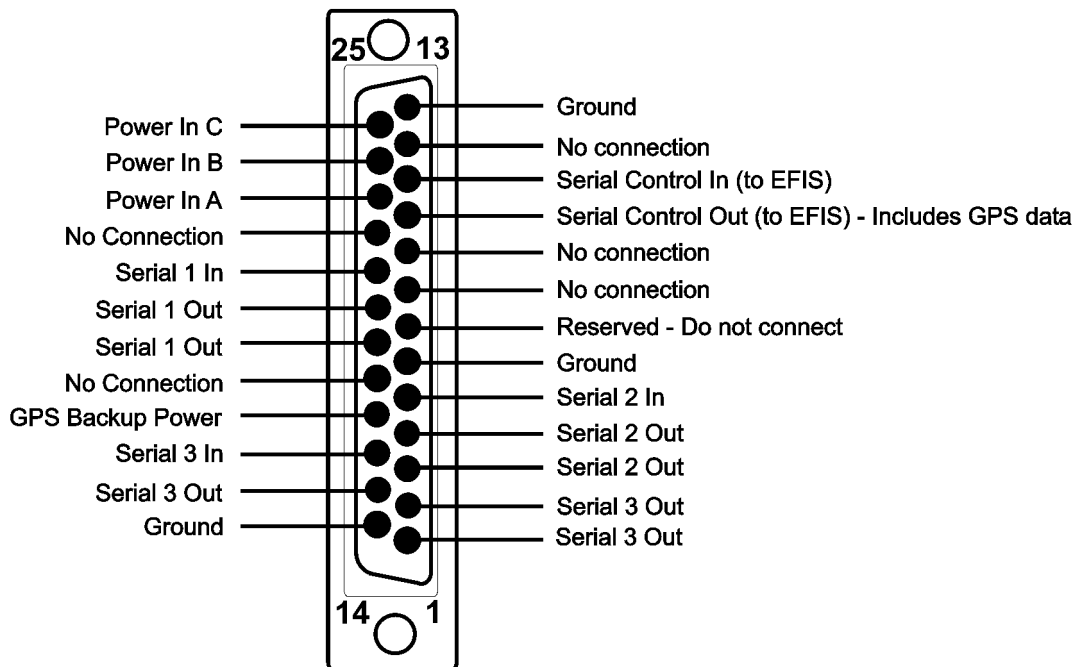
<b>NMEA0183 Sentences Transmitted</b>
\$GPGGA
\$GPGLL
\$GPGSA
\$GPGSV
\$GPRMC
\$GPVTG
\$GPZDA
\$RAIM (proprietary)

**Serial Combiner Specifications:**

- User configurable serial ports: 3
- Available buad rates: 110, 300, 600, 1200, 2400, 4800, 9600, 14400, 19200, 38400, 56000, 57600, 115200
- Available Serial Port Functions: All serial port functions available on the display unit can be used through the combiner, as well as ADS-B specific GPS outputs.

# Connector Pinout

## Safe-Fly 2020 ADS-B Compliant GPS Pinout



**Rear View of Connector Housing**

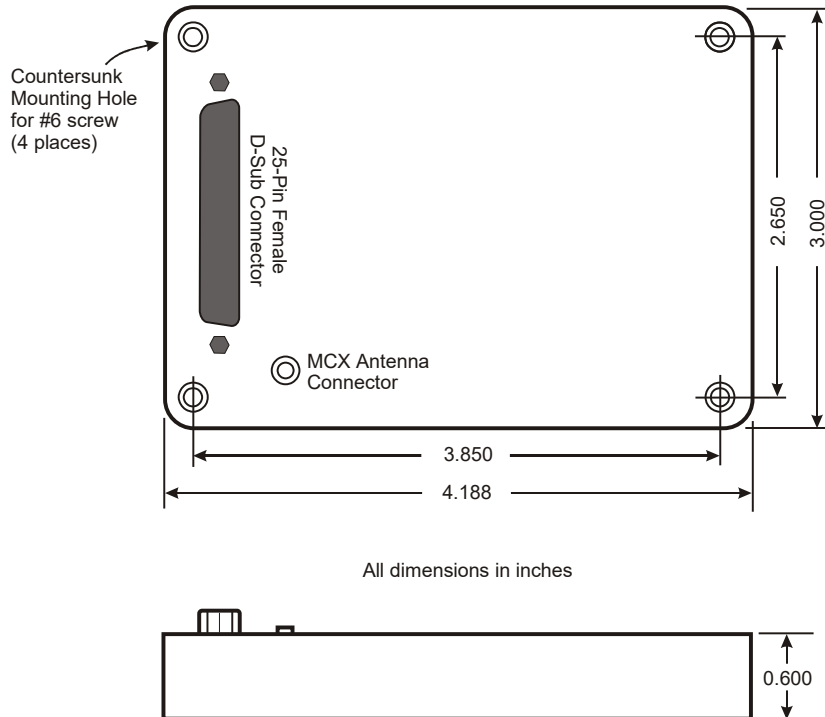
This view shows the side of the connector housing that the wire are inserted into.

Safe-fly pinout.cdr

Male d-sub connector. (GPS unit has female d-sub connector.)

This is a male d-sub connector. It can be identified by its hollow end opposite the side the wires are installed. The contacts for this connector are male pins.

# Dimensions



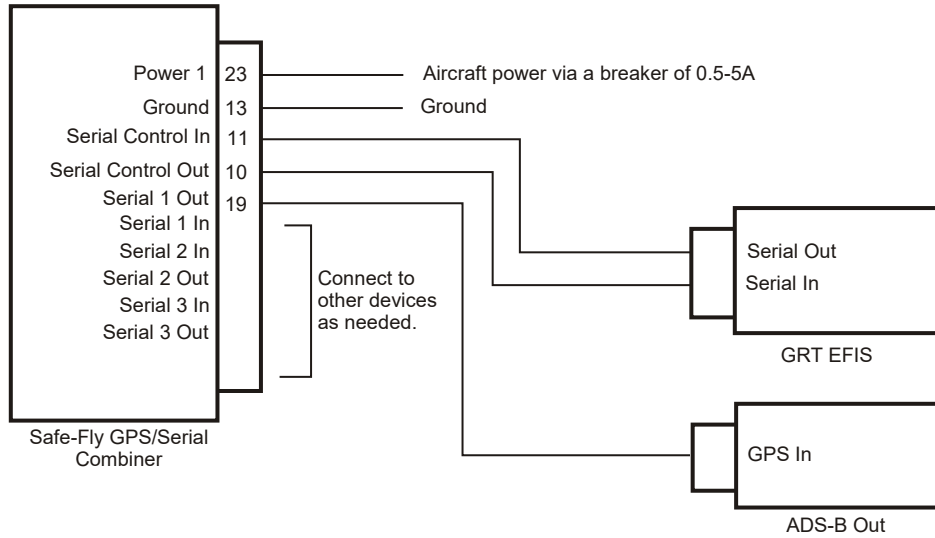
## Notes:

1. Mount in a location to avoid exposure to water and excessive heat, such as from cabin heat ducts.
2. No cooling required.
3. Secure with 2 or more mounting screws in opposite corners.
4. See user manual for wiring.

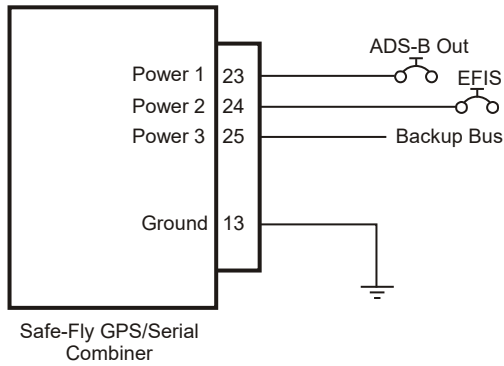
## Safe-Fly 2020 ADS-B Compliant GPS Module/Serial Port Combiner



# Typical Wiring



**Typical wiring**



This method of powering the Safe-Fly GPS assures it is powered whenever power is supplied to either the EFIS or ADS-B out device, and shows the use of the third power input from a backup source. This method of powering the unit is not required, but is convenient due to the isolated power inputs provided on the Safe-Fly GPS.

**Typical use of multiple power inputs**