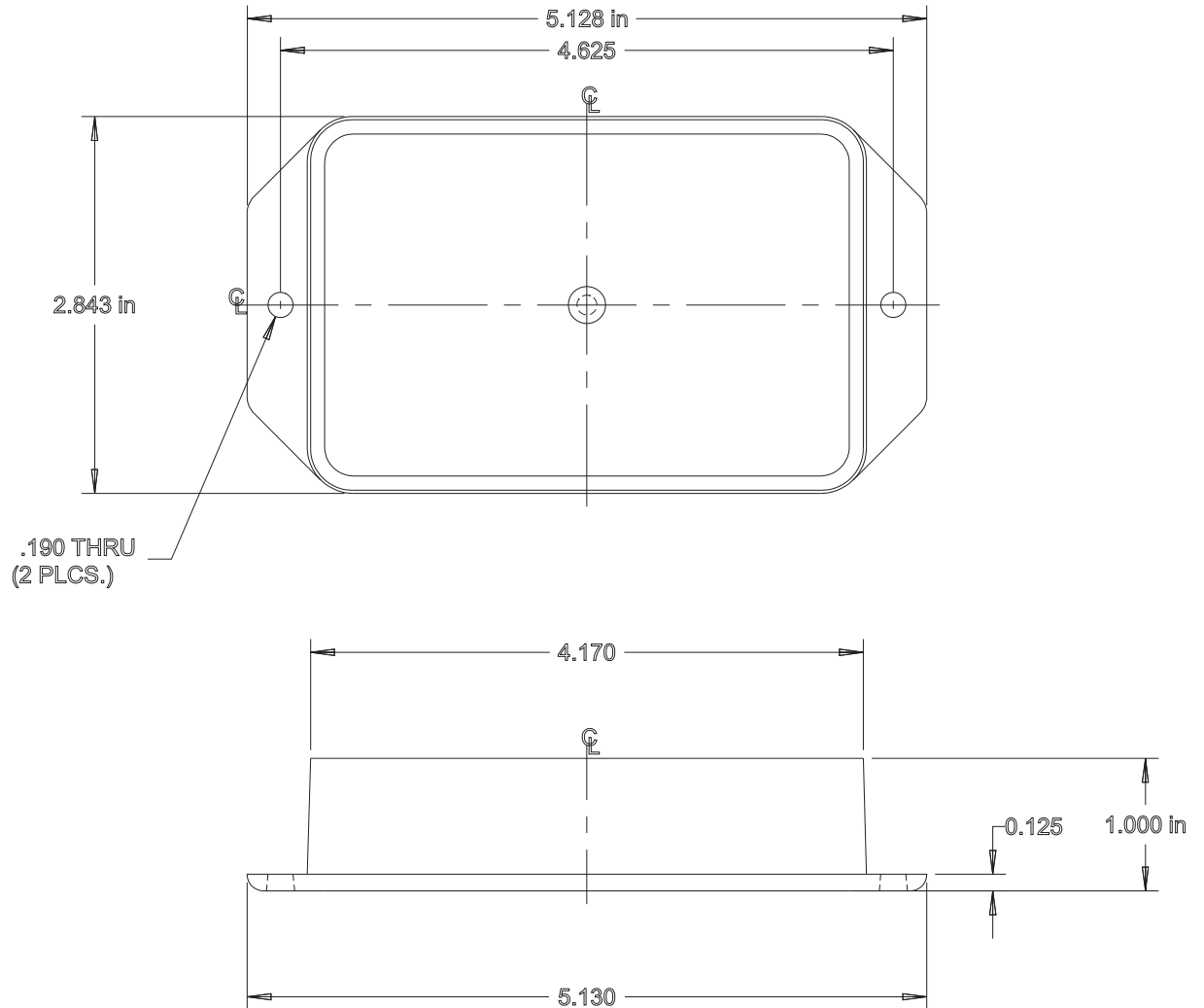


- External GPS module
- RAIM GPS module
- ARINC module
- Magnetometer

Notes:

- Drawing shows height of module mounting platform only.
- GPS and ARINC modules are 9/16" taller than mount.
- Allow an extra 3" above ARINC module for D-sub connector.



## External Module Footprint and Mounting Holes