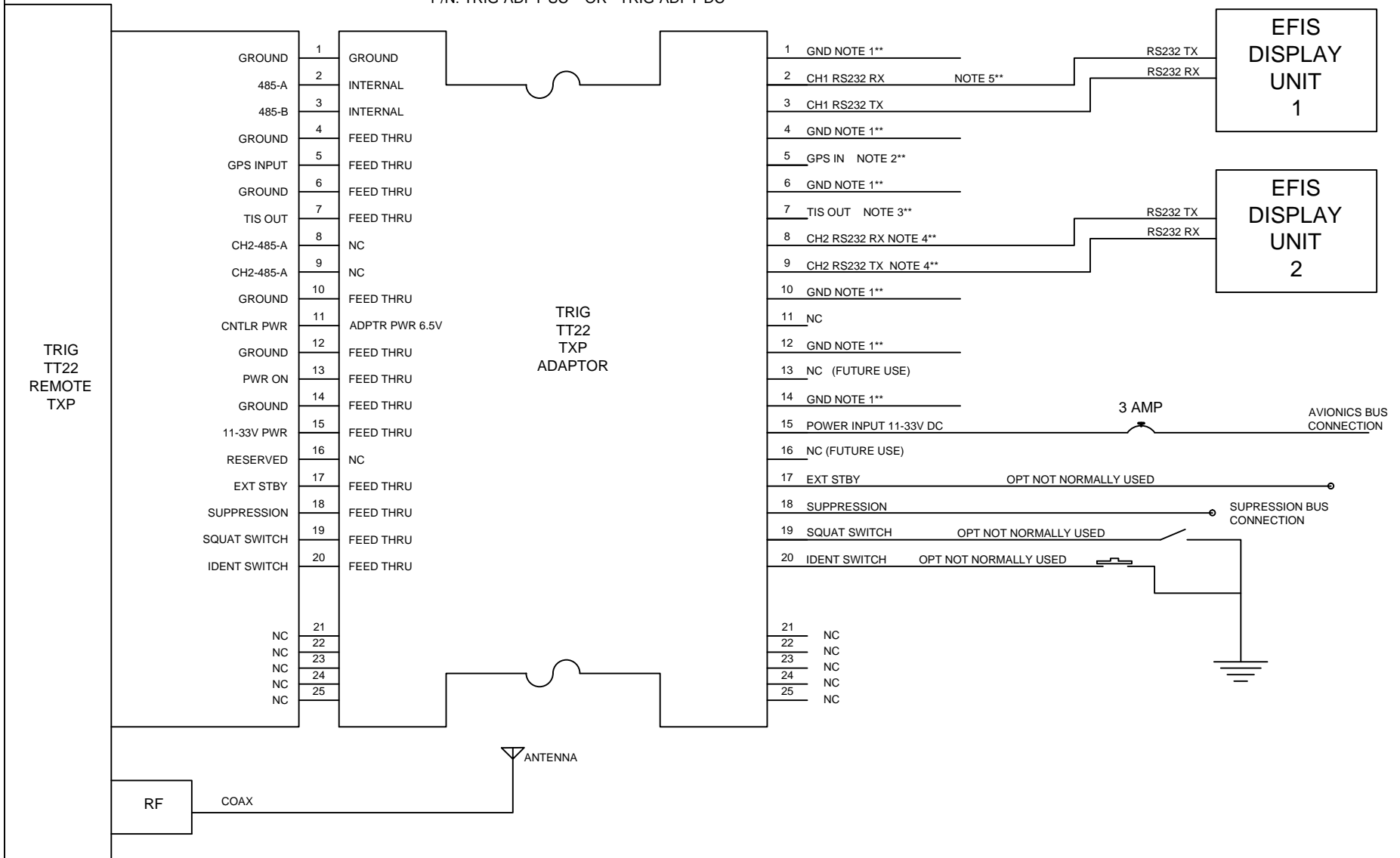


# GRT TT-22 ADAPTER

P/N: TRIG-ADPT-SC OR TRIG-ADPT-DC



Note 1  
SELECT A MIN OF  
2 GND TO GROUND  
TXP UNIT

Note 2  
NOT NEEDED, PROVIDED  
THROUGH EFIS.  
CONNECT A 2020 ADS-B  
COMPLIANT GPS HERE

Note 3  
NOT NEEDED, REDUNDANT  
CONNECTION. INFORMATION  
PROVIDED THROUGH EFIS  
CONNECTION

Note 4  
CONNECTION FOR SECOND  
DISPLAY WHEN USING  
DUAL CONTROL OPTION.  
MODEL: TRIG-ADPT-DC

Note 5  
ENCODER INFORMATION  
PROVIDED THROUGH  
DISPLAY INTER-LINK

Note 6  
WIRES CONNECTING TO  
THE ADAPTER SHOULD  
BE WIRED WITH PINS AND  
A MALE DB25  
CONNECTOR