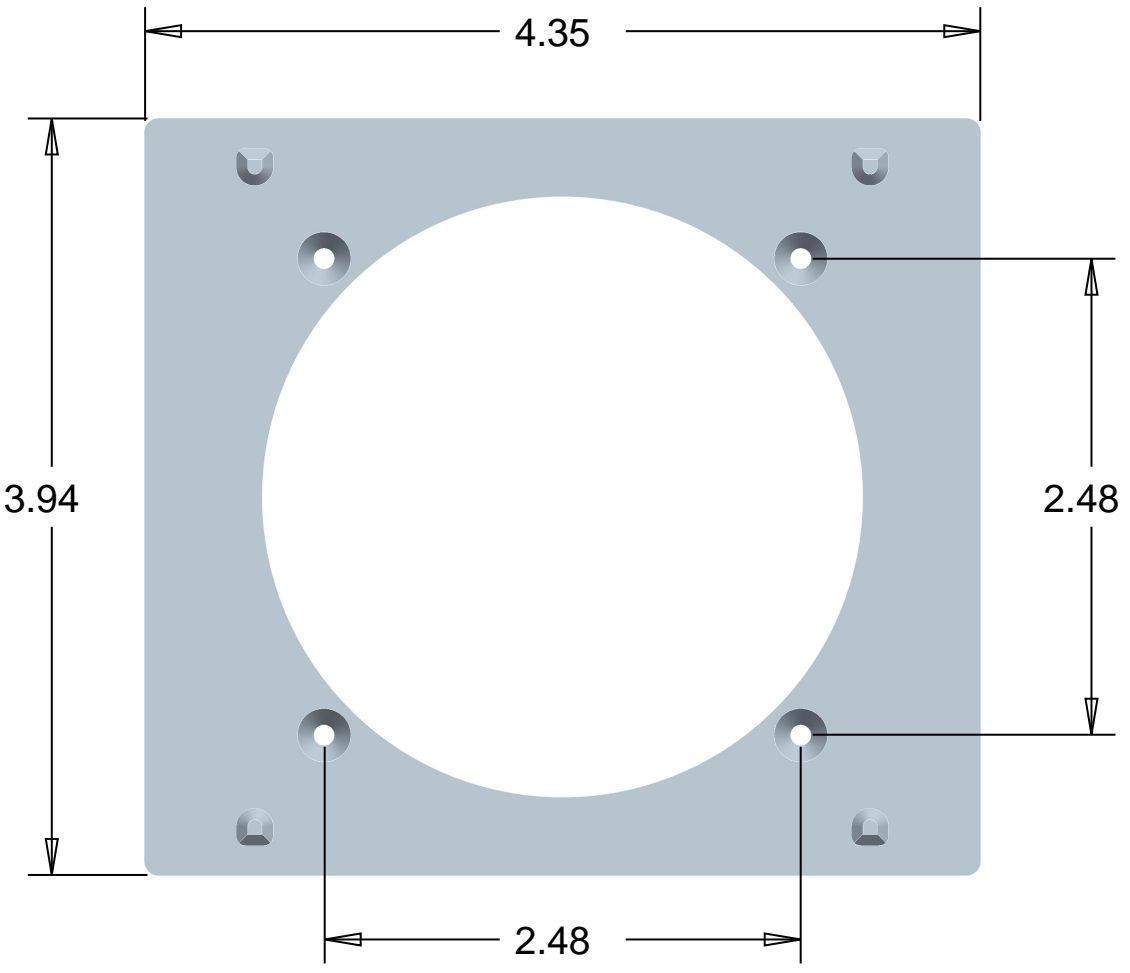


MINI-GA MOUNT REV-A 01-21-16  
6-32 Flat head screws  
Fits standard 3-1/8 hole pattern  
The MINI-GA is larger than the typical 3-1/8 Instrument



SCALE 1.00